



MITRA TEKNINDO SEJATI

New Urbanization Piling Foundation Pioneer

Low Cost Modify Excavator into Rotary Drilling Rig

MILESTONE SERIES

KR40/50

MODULAR ROTARY DRILLING RIG

CONTACT US

Jakarta

Galeri Niaga Mediterania 1
Jl. Pantai Indah Utara II Blok. X3 No. G8A-8B
Pantai Indah Kapuk - Jakarta Utara
Telp. 021 52393819

Tangerang I

Kawasan Industri Milenium Blok P2 No. 3
Jl. Pemda Tigaraksa, Sukamulya,
Cikupa, Tangerang - Banten
Telp. 021 59645008

Tangerang II

Kawasan Bizlink Citra Raya Blok O 08/20
Jl. Pemda Tigaraksa, Sukamulya
Cikupa, Tangerang - Banten

Bantaeng

Jl. Dusun Mawang, Desa Papanloe,
Pajukukang, Bantaeng Regency
Sulawesi Selatan

Surabaya

Jl. Gunung Sari No. 55-59 (Gudang B),
Surabaya - Jawa Timur
Telp. 031 99545799

Makassar

Jl. Ir. Sutami, Pertamina (Pengisian Gas Elpiji)
PT. Pergudangan Permata Alam Blok B No. 10
Makassar - Sulawesi Selatan
Telp 04118037636

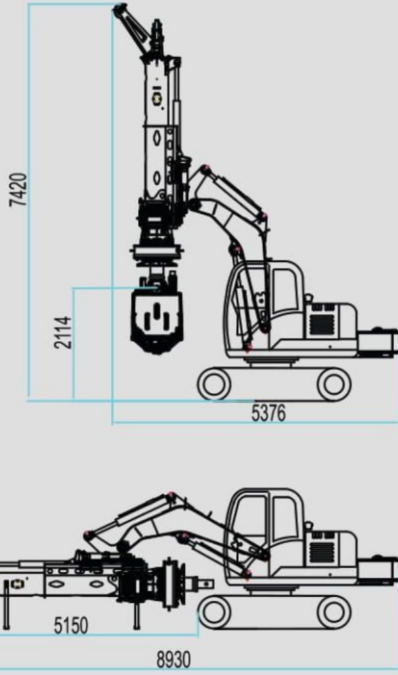
Samarinda

Jl. Ampera Pergudangan Mangkupalas Bisnis
Center Blok D20 Simpang Pasir
Palaran, Samarinda - Kalimantan Timur



TYSIM PILING EQUIPMENT

KR40



Model

KR40

Excavator Size (t)	8-13
Max. torque (kN.m)	32/42
Max. drilling diameter (mm)	1200
Max. drilling depth (m)	10
Max. crowd pressure (kN)	70
Max. cylinder stroke (mm)	600
Main winch pull force (t)	4.5
Main winch speed (m/min)	30
Auxiliary winch pull force (t)	2
Mast inclination(Lateral) (°)	±6
Mast inclination(Backward and forward) (°)	+90 ~-30
Working speed (r/min)	7- 30
Operating height (mm)	7420
Operating width (mm)	2200
Transport height (mm)	2625
Transport width (mm)	2200
Transport length (mm)	8930
Transport weight (t)	4.6

*Remark

Restructuring big arm

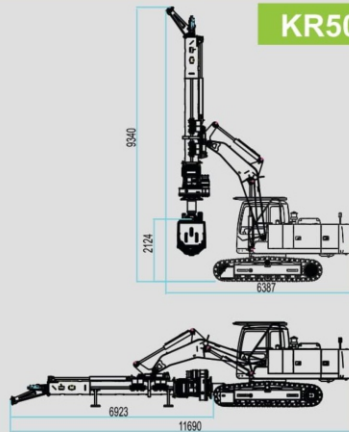
Reference model: LIUGONG CLG908D

Model KR50

Excavator Size (t)	14-16
Max. torque (kN.m)	50
Max. drilling diameter (mm)	1200
Max. drilling depth (m)	16
Max. crowd pressure (kN)	70
Max. cylinder stroke (mm)	1100
Main winch pull force (t)	6.5
Main winch speed (m/min)	48
Auxiliary winch pull force (t)	2
Mast inclination(Lateral) (°)	±6
Mast inclination(Backward and forward) (°)	+90 ~-30
Working speed (r/min)	7- 30
Operating height (mm)	9340
Operating width (mm)	2490
Transport height (mm)	2900
Transport width (mm)	2490
Transport length (mm)	11690
Transport weight (t)	5.7

*Remark

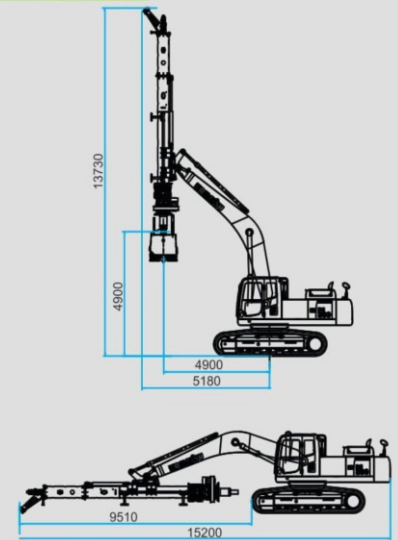
Restructuring big arm



KR50(16t)

Reference model: LIUGONG CLG915E

KR50(30t)



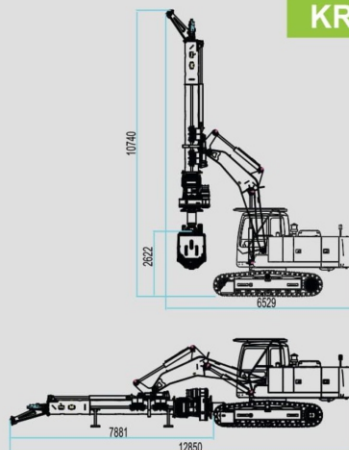
Reference model: Komatsu PC 300

Model KR50

Excavator Size (t)	20-23
Max. torque (kN.m)	50
Max. drilling diameter (mm)	1200
Max. drilling depth (m)	20/24
Max. crowd pressure (kN)	75
Max. cylinder stroke (mm)	1100
Main winch pull force (t)	6.5
Main winch speed (m/min)	48
Auxiliary winch pull force (t)	2
Mast inclination(Lateral) (°)	±6
Mast inclination(Backward and forward) (°)	+90 ~-30
Working speed (r/min)	7- 30
Operating height (mm)	10740
Operating width (mm)	2800
Transport height (mm)	3040
Transport width (mm)	2800
Transport length (mm)	12850
Transport weight (t)	6

*Remark

Restructuring big arm



KR50(21t)

Reference model: LIUGONG CLG920E

Model KR50

Excavator Size (t)	24+
Max. torque (kN.m)	50
Max. drilling diameter (mm)	1200
Max. drilling depth (m)	24
Max. crowd pressure (kN)	75
Max. cylinder stroke (mm)	1100
Main winch pull force (t)	6.5
Main winch speed (m/min)	48
Auxiliary winch pull force (t)	2
Mast inclination(Lateral) (°)	±6
Mast inclination(Backward and forward) (°)	+90 ~-30
Working speed (r/min)	7- 30
Operating height (mm)	13730
Operating width (mm)	3300
Transport height (mm)	3310
Transport width (mm)	3300
Transport length (mm)	15200
Transport weight (t)	6.5

*Remark

Original arm